

## SPECIFICATION SHEET FOR FORMALDEHYDE-SENSOR TYPE CH2O/C-10

### PERFORMANCE CHARACTERISTICS

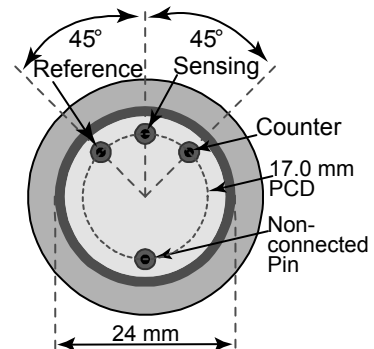
Nominal Range	0 – 10 ppm
Maximum Overload	50 ppm
Expected Operation Life	3 years in air
Output Signal	4600 ± 1200 nA/ppm
Resolution	0,01 ppm
Temperature Range	- 20 °C to 50 °C
Pressure Range	Atmospheric
Pressure Coefficient	No data
T <sub>50</sub> Response Time	< 80 sec
Relative Humidity Range	15 % to 90 % R.H. non-condensing
Typical Baseline Range (pure air, 20°C)	-0.10 ppm to 0.02 ppm
Maximum Zero Shift (+20°C to +40°C)	0.25 ppm
Expected Long Term Output Drift	< 2 % signal loss/month
Recommended Load Resistor	10 Ohm
Bias Voltage	Not recommended
Repeatability	< 2 % of signal
Output Linearity	Linear
Humidity Effect	Abrupt changes in rel. humidity causes a short term transient signal

### PHYSICAL CHARACTERISTICS

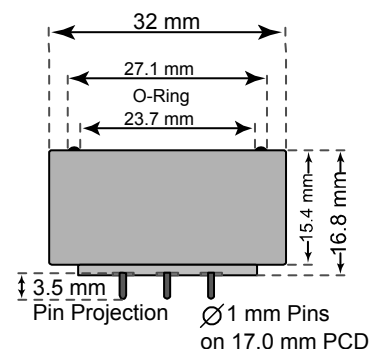
Weight	~ 13 g
Position Sensitivity	None
Storage Life	Six months in container
Recommended Storage Temperature	5 °C – 20 °C
Warranty Period	12 months from date of dispatch

### Compact-Size Outline Dimensions

#### BOTTOM VIEW



#### SIDE VIEW



### CROSS-SENSITIVITY DATA

Interfering Gas	Cross-Sensitivity (%)
H <sub>2</sub>	1 % - 3 %
CO	10 % - 18 %
Interference from other reducing gases, such as alcohols	

Performance data conditions:  
20 °C, 50% RH and 1013 mbar

### APPLICATIONS

Continuous Air Quality Monitoring

The data contained in this document is for guidance only. Membrapor AG accepts no liability for any consequential losses, injury or damage resulting from the use of this document or the information contained within it. The data is given for guidance only. Customers should test under their own conditions, to ensure that the sensors are suitable for their own requirements.

REV.: 08/2007

Page 1 of 1